



Note: This catalog may contain attachments and optional equipment that are not available in your area. And it may contain photographs of machines with specifications that differ from those of machines sold in your areas. Please consult your nearest KOBELCO distributor for those items you require. Specialist equipment is needed to use this machine in demolition work. Before using it please contact your KOBELCO dealer. Due to our policy of continuous product improvements all designs and specifications are subject to change without advance notice. Copyright by **KOBELCO CONSTRUCTION MACHINERY CO., LTD.** No part of this catalog may be reproduced in any manner without notice.

**KOBELCO CONSTRUCTION MACHINERY CO., LTD.**

5-15, Kitashinagawa 5-chome, Shinagawa-ku, Tokyo 141-8626 JAPAN  
Tel: +81 (0) 3-5789-2146 Fax: +81 (0) 3-5789-2135  
www.kobelcocm-global.com

Inquiries To:

# To cities, forests, and all kinds of sites around the world.

Kobelco's innovations have created "earth-friendly construction machines" that play important roles at a diverse range of construction sites throughout the world. They increase productivity on all types of projects thanks to their power, durability, and outstanding fuel efficiency. While boasting low fuel consumption, the SK80-10 are state-of-the-art machines that achieve even greater efficiency. Featuring strong durability and easy maintenance, they're put to powerful use on all kinds of construction sites. Their high performance exceeds expectations. Kobelco is focused on the future of the global environment, striving to provide greater work efficiency and reduce life-cycle costs, as well as offering a new sense of value that's ahead of the times.



## SK80

# We're always pursuing fuel efficiency.



## Comfort

Kobelco's ECO-mode maximizes the operating efficiency of the engine and other components to achieve much greater fuel efficiency. Just press a button to choose the operation mode best suited to the task at hand and the working conditions

## YANMAR : 4TN98S-BVYB

Rated power output

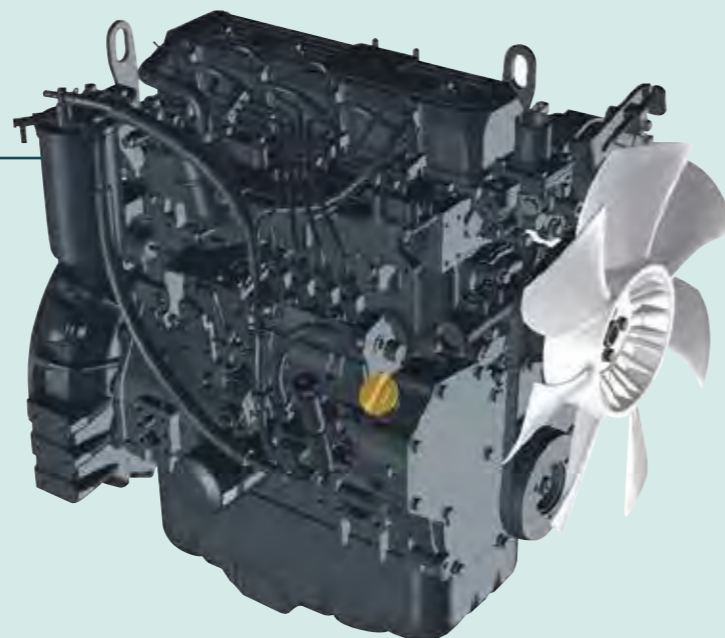
**36.3 kW / 2,100** min-1

Max. torque

**206 ~ 223** N/m

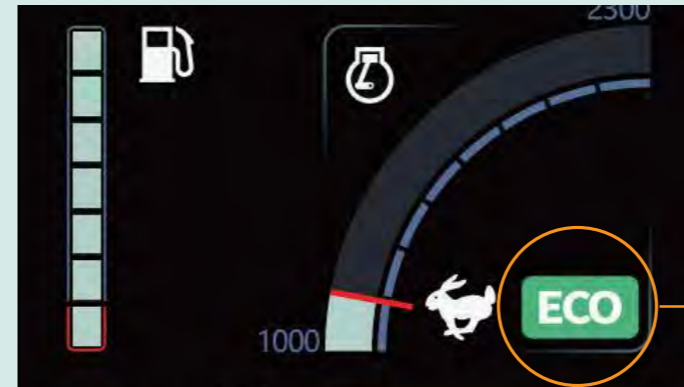
Displacement

**3.319** L



## ECO-mode: Engineered for Economy

Kobelco's ECO-mode maximizes the operating efficiency of the engine and other components to achieve much greater fuel efficiency. Just press a button to choose the operation mode best suited to the task at hand and the working conditions



### Standard mode

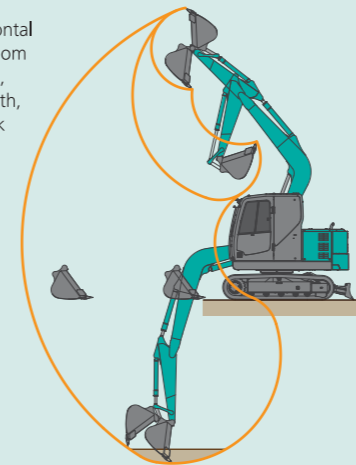
Maximum power for maximum productivity on your toughest jobs

### ECO-mode

Minimum fuel consumption for utility projects and other work that demands precision

## Speedy combined operations

Combined attachment operations, such as horizontal digging to operate the boom and arm at the same time, are also nimble and smooth, making it possible to work faster.



## Sturdy equipment



**Overall width of dozer : 2,320 mm**  
Dozer that just fits the width of the crawler.

**Bucket capacity : 0.32 m<sup>3</sup> / 0.35 m<sup>3</sup>**  
Large bucket handles big amount with one stroke.

**Smoother Operations.**

**Fuel Economy**

**Sturdy equipment**

**Efficient Productivity And Efficiency**

# Comfortable Cab For Better Performance.

## Comfort

### Luxurious and large CAB

SK80-10 equips a large cab that is installed in higher-end excavators. A relaxing environment allows work to be performed in comfort.



### More Comfortable Seat Means Higher Productivity



Seat recliner can be pushed back flat



Double slides allow adjustment for optimum comfort

Armrests are equipped with suspension seat as standard

### Super-Airtight Cab



The high level of air-tightness keeps dust out of the cab.

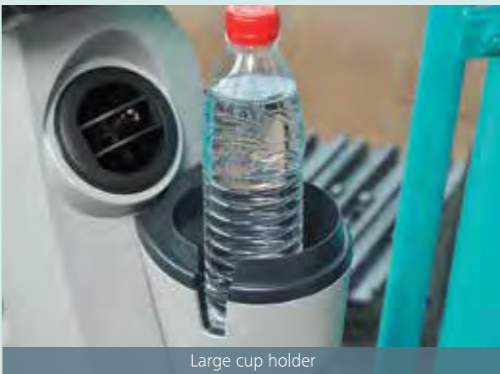
### Quiet Inside

The high level of air-tightness ensures a quiet, comfortable cabin interior.

### Interior Equipment Adds to Comfort and Convenience



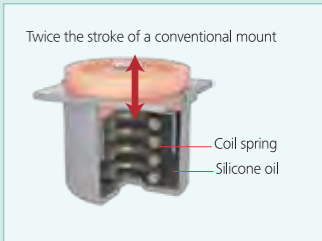
Rubber coated foot pedals



Large cup holder

### Low Vibration

Coil springs absorb small vibrations, and high suspension mounts filled with silicone oil reduce heavy vibration. The long stroke achieved by this system provides excellent protection from vibration.



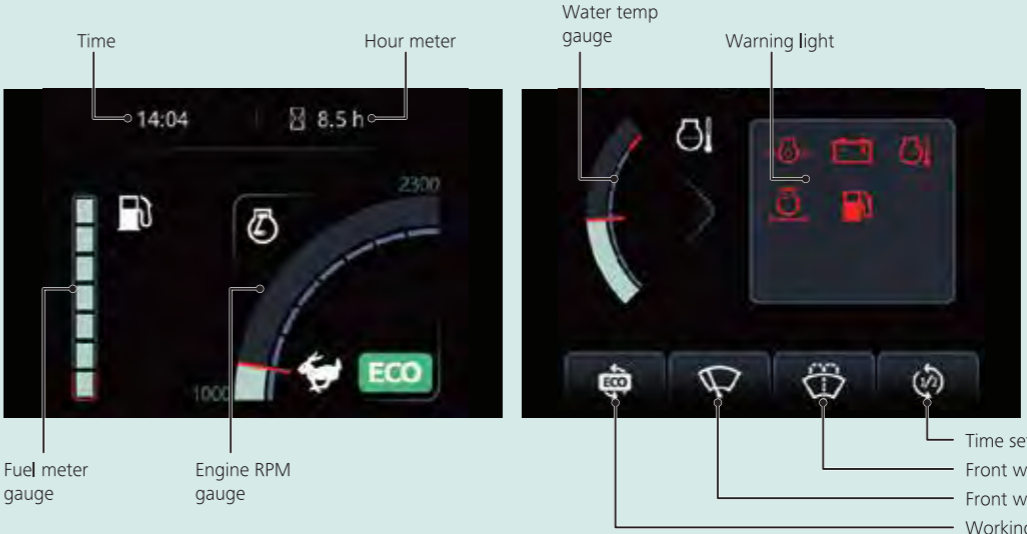
### Air Conditioner Louvers behind the Seat

The large air-conditioner has vents on the back pillars that blow from behind and to the right and left of the operator's seat. They can be adjusted to put a direct flow of cool/warm air on the operator, which means a more comfortable operating environment.



### Large Touchscreen Color Monitor

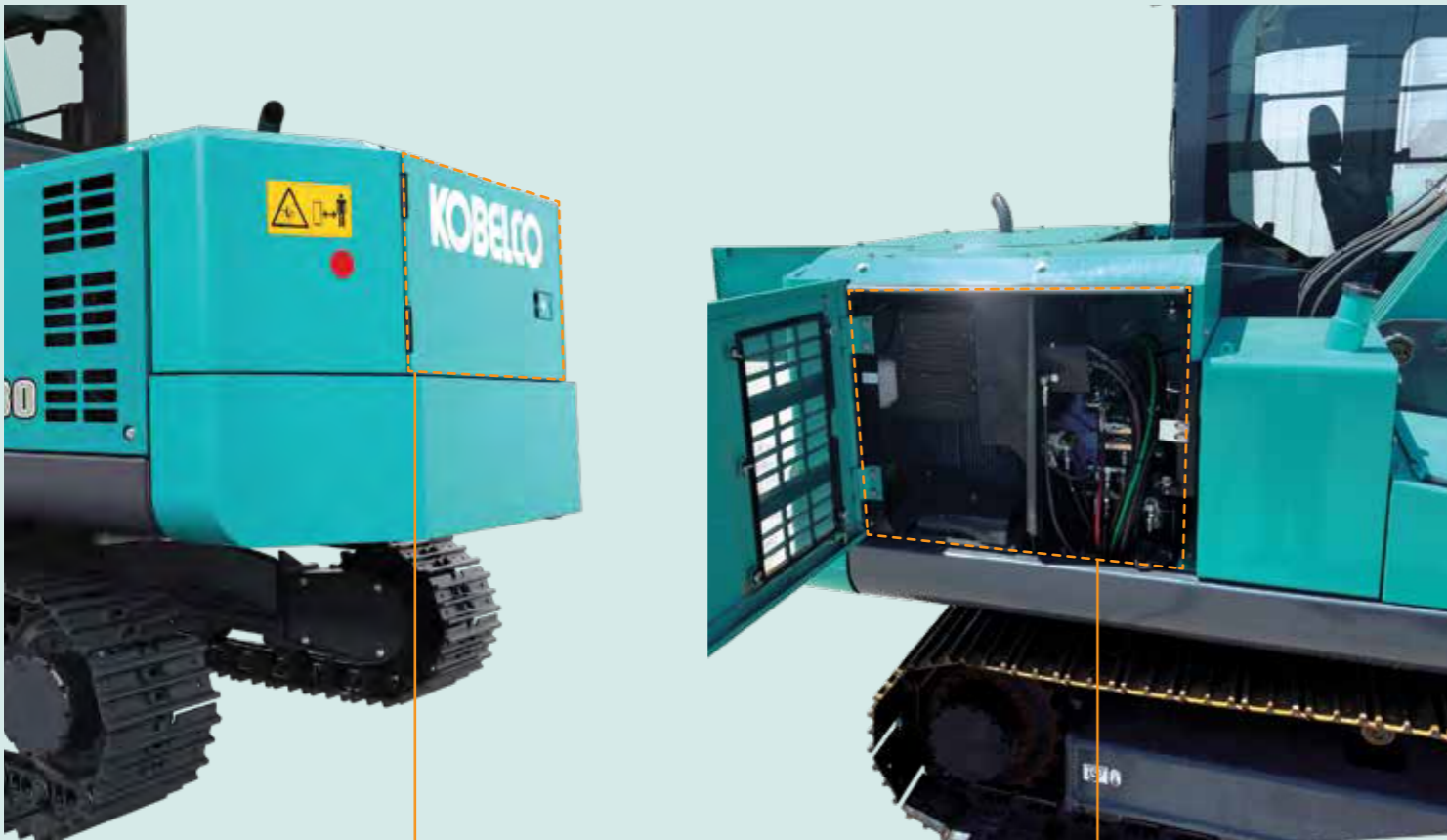
If there is any problem with the machine, the icons on the display will notice it to the operator.



# Efficient maintenance to sustain high performance.

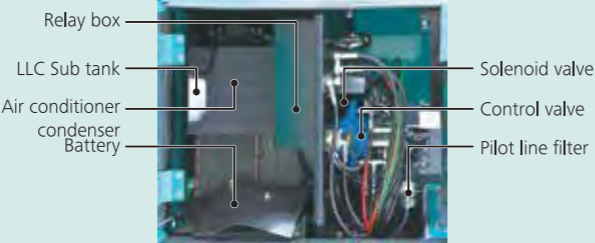
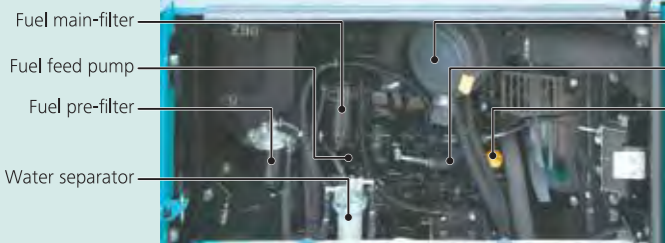
## Maintainable on the ground

Portions that require daily maintenance, such as lubrication, have been laid out in easily accessible locations.



Large rear maintenance space

Right side maintenance panel



## Optional Filter maintenance



The filter is placed on the side of the boom so it can be easily replaced.



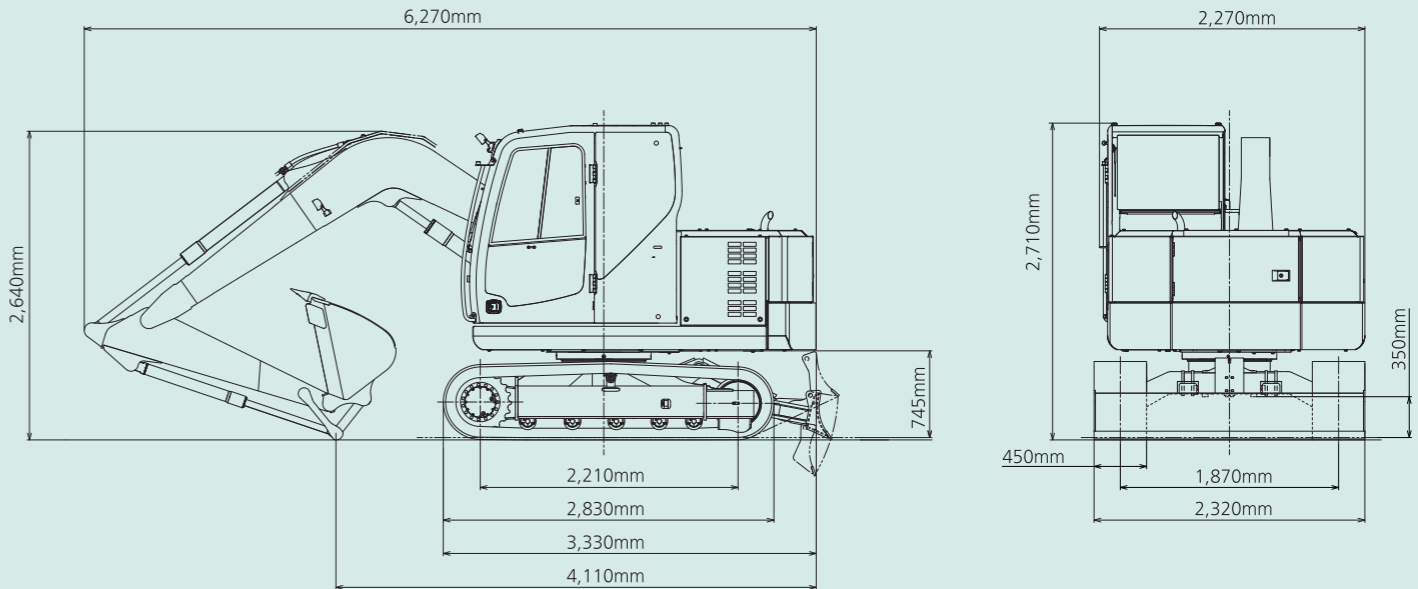
## Large capacity storage box

Big storage box that can storage 2 pails with ease.



## Transportability

Compact body that can be transported by small truck  
The length from the attachment link to the counterweight rear end has been reduced so that it can be mounted on general small trucks.



## Engine

Model	YANMAR 4TN985
Type	Four-cycle, water-cooled, direct injection diesel engine
No. of cylinders	4
Bore and stroke	98.0 mm x 110.0 mm
Displacement	3.319 L
Rated power output	34.8 kW / 2,100 min <sup>-1</sup> (ISO 9249 : with fan)
	36.3 kW / 2,100 min <sup>-1</sup> (ISO 14396: without fan)
Max. torque	212 N·m / 1,260 min <sup>-1</sup> (ISO 9249 : with fan)
	214 N·m / 1,260 min <sup>-1</sup> (ISO 14396: without fan)

## Hydraulic System

Pump	
Type	One variable displacement axial piston pump + pilot gear pump
Max. discharge flow	1 x 126 L/min, 1 x 12.6 L/min
Relief valve setting	
Boom, arm and bucket	29.4 MPa (300 kgf/cm <sup>2</sup> )
Travel circuit	29.4 MPa (300 kgf/cm <sup>2</sup> )
Swing circuit	24.5 MPa (250 kgf/cm <sup>2</sup> )
Control circuit	3.2 MPa (33 kgf/cm <sup>2</sup> )
Blade circuit	26.5 MPa (270 kgf/cm <sup>2</sup> )
Pilot control pump	Gear type
Main control valve	8-Spool valve
Oil cooler	Air cooled type

## Swing System

Swing motor	One fixed displacement piston motor
Brake	Hydraulic; locking automatically when the swing control lever is in the neutral position
Parking brake	Wet multiple plate
Swing speed	10.4 min <sup>-1</sup>
Swing torque	19 kN·m

## Attachments

Backhoe bucket and combination

Type	Backhoe bucket			
Bucket capacity	ISO heaped	m <sup>3</sup>	0.32	0.35
	ISO Struck	m <sup>3</sup>	0.24	0.26
Opening width	With side cutter	mm	800	855
	Without side cutter	mm	-	-
No. of teeth			4	5
Bucket weight		kg	240	270
Combination	1.71m arm		⊙	○

⊙ Standard combination ○ Recommended - Not applicable

## Travel System

Travel motors	2 x axial-piston, two-step motors
Travel brakes	Hydraulic brake per motor
Parking brakes	Oil disc brake per motor
Travel shoes	39
Travel speed	2.6/4.7 km/h
Drawbar pulling force	82.0 kN (SAE)
Gradeability	58 % {30 °}

## Cab & Control

Cab	
All-weather, sound-suppressed steel cab mounted on the silicon-sealed viscous mounts and equipped with a heavy, insulated floor mat.	
Control	
Two hand levers and two foot pedals for travel	
Two hand levers for excavating and swing	
Electric rotary-type engine throttle	
Dozer lever	

## Boom, Arm & Bucket

Boom cylinders	110 mm x 916 mm
Arm cylinder	95 mm x 833 mm
Bucket cylinder	80 mm x 735 mm
Dozer cylinder	130 mm x 705 mm

## Refilling Capacities & Lubrications

Fuel tank	143 L
Cooling system	9.2 L
Engine oil	11.2 L
Travel reduction gear	2 x 1.3 L
Swing reduction gear	1 x 1.5 L
Hydraulic oil tank	43.0 L tank oil level
	93.0 L hydraulic system

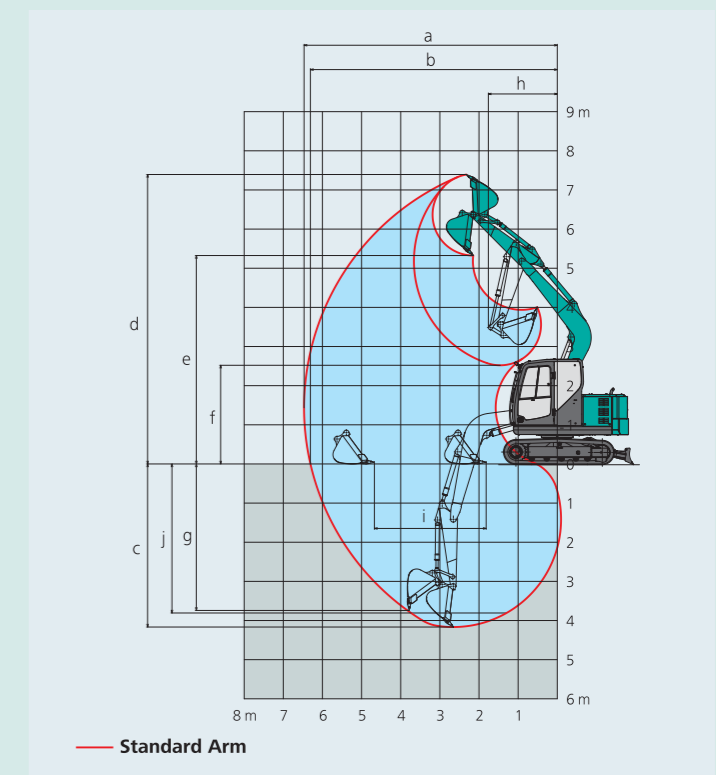
## Working Ranges

Boom	3.84 m
Arm	Standard 1.71 m
Range	
a- Max. digging reach	6,470
b- Max. digging reach at ground level	6,310
c- Max. digging depth	4,170
d- Max. digging height	7,390
e- Max. dumping clearance	5,320
f- Min. dumping clearance	2,520
g- Max. vertical wall digging depth	3,740
h- Min. swing radius	1,790
i- Horizontal digging stroke at ground level	2,850
j- Digging depth for 2.4 m (8') flat bottom	3,810
Bucket capacity ISO heaped m <sup>3</sup>	0.32

Digging Force (ISO 6015)	
Arm length	Standard 1.71 m
Bucket digging force	52.7
Arm crowding force	39.4

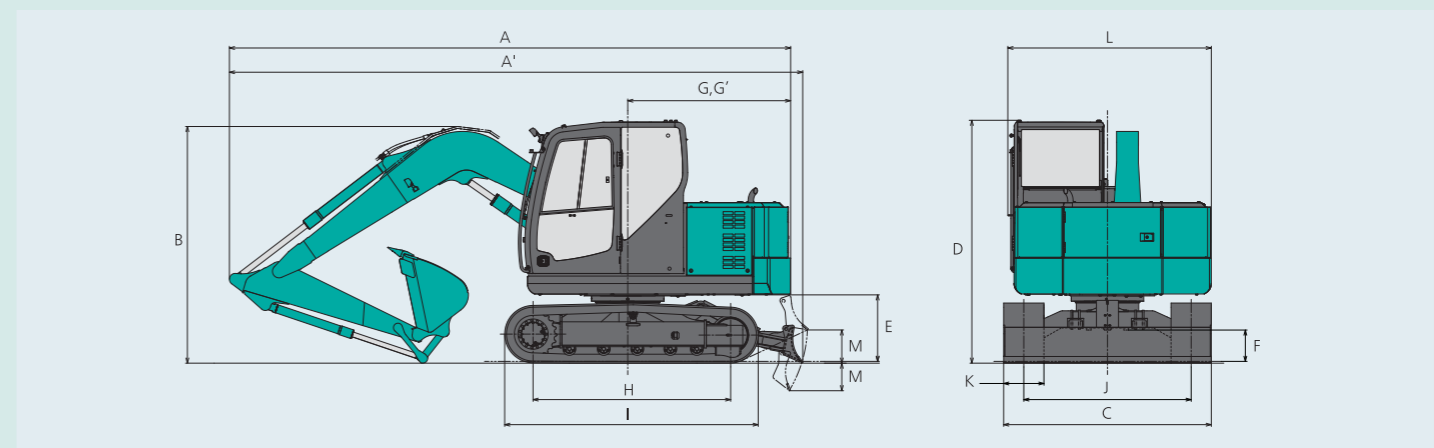
## Dimensions

Arm length	
A Overall length	Standard 6,270
A' Overall length (with dozer blade)	6,410
B Overall height (to top of boom)	2,640
C Overall width of crawler	2,320
D Overall height (to top of cab)	2,710
E Ground clearance of rear end*	745
F Ground clearance*	350



Dimensions	
G Tail swing radius	1,960
G' Distance from centre of swing to rear end	1,820
H Tumbler distance	2,210
I Overall length of crawler	2,830
J Track gauge	1,870
K Shoe width	450
L Overall width of upperstructure	2,270
M Dozer blade (up / down)	370/310

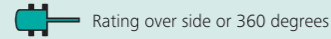
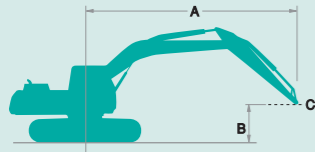
\*Without including height of shoe



## Operating Weight & Ground Pressure

In standard trim, with standard boom, 1.71 m arm, and 0.32 m<sup>3</sup> ISO heaped bucket, triple grouser shoes (even height)

Engine	With air conditioner		Without air conditioner			
Shoe width	mm	450	600	450	600	
Overall width of crawler	mm	2,320	2,470	2,320	2,470	
Ground pressure	With dozer	kPa	33.4	25.8	33.2	25.7
	Without dozer	kPa	31.5	24.4	31.3	24.2
Operating weight	With dozer	kg	7,440	7,660	7,400	7,620
	Without dozer	kg	7,010	7,240	6,970	7,190



A: Reach from swing centerline to arm top  
 B: Arm top height above/below ground  
 C: Lift point  
 Bucket: Without bucket  
 Relief valve setting: 29.4 MPa (300 kgf/cm<sup>2</sup>)

SK80-10		Boom: 3.84 m Arm: 1.71 m Bucket: without Counterweight: 350 kg Shoe: 450 mm Dozer: blade up								
A \ B		1.5m		3.0m		4.5m		At max. reach		Radius
6.0m	kg							*2,210	*2,210	2.89 m
4.5m	kg			*2,330	*2,330			1,780	1,570	4.47 m
3.0m	kg			*2,910	2,860	1,720	1,510	1,360	1,200	5.19 m
1.5m	kg			3,040	2,570	1,630	1,430	1,230	1,080	5.42 m
G.L.	kg			2,900	2,440	1,560	1,370	1,260	1,110	5.22 m
-1.5m	kg	*4,200	*4,200	2,900	2,440	1,560	1,370	1,550	1,350	4.53 m
-3.0m	kg			*1,340	*1,340			*1,310	*1,310	3.03 m

SK80-10		Boom: 3.84 m Arm: 1.71 m Bucket: without Counterweight: 350 kg Shoe: 450 mm Dozer: blade down								
A \ B		1.5m		3.0m		4.5m		At max. reach		Radius
6.0m	kg							*2,210	*2,210	2.89 m
4.5m	kg			*2,330	*2,330			*1,820	1,570	4.47 m
3.0m	kg			*2,910	2,860	*2,170	1,510	*1,790	1,200	5.19 m
1.5m	kg			*3,600	2,570	*2,370	1,430	*1,930	1,080	5.42 m
G.L.	kg			*3,620	2,440	*2,380	1,370	*1,960	1,110	5.22 m
-1.5m	kg	*4,200	*4,200	*3,000	2,440	*1,900	1,370	*1,860	1,350	4.53 m
-3.0m	kg			*1,340	*1,340			*1,310	*1,310	3.03 m

**Notes:**

- Do not attempt to lift or hold any load that is greater than these lift capacities at their specified lift point radius and heights. Weight of all accessories must be deducted from the above lift capacities.
- Lift capacities are based on machine standing on level, firm, and uniform ground. User must make allowance for job conditions such as soft or uneven ground, out of level conditions, side loads, sudden stopping of loads, hazardous conditions, experience of personnel, etc.
- Arm top defined as lift point.
- The above lift capacities are in compliance with ISO 10567. They do not exceed 87% of hydraulic lift capacity or 75% of tipping load. Lift capacities marked with an asterisk (\*) are limited by hydraulic capacity rather than tipping load.
- Operator should be fully acquainted with the Operator's and Maintenance Instructions before operating this machine. Rules for safe operation of equipment should be adhered to at all times.
- Lift capacities apply to only machine originally manufactured and normally equipped by KOBELCO CONSTRUCTION MACHINERY CO., LTD.

## STANDARD EQUIPMENT

**ENGINE**

- Engine, Yanmer 4TN98S, diesel engine
- Batteries (2 x 12 V - 80 Ah)
- Starting motor (24 V - 3.5 kW), alternator (24V - 45A)
- Double element air cleaner

**CONTROL**

- Working mode selector (Standard -mode, ECO-mode)

**SWING SYSTEM & TRAVEL SYSTEM**

- Swing rebound prevention system
- Straight propel system
- Two-speed travel with automatic shift down
- Sealed & lubricated track links
- Grease-type track adjusters
- Automatic swing brake
- Aluminum hydraulic oil cooler

**LIGHTS**

- Three front working LED lights (one for boom, one for right storage box, and one for Cab)

**CAB & CONTROL**

- Two control levers, one dozer lever, pilot-operated
- Cab light (interior)
- Large cup holder
- Detachable two-piece floor mat
- Intermittent windshield wiper
- Tinted safety glass
- Pull-up type front window and removable lower front window
- Easy-to-read large color monitor
- Emergency escape hammer

## OPTIONAL EQUIPMENT

- Add one cab LED lights
- Back light
- Rear view mirror
- 0.35m<sup>3</sup> bucket
- Luggage tray

- 600 mm steel shoe
- Additional track guides for 450 mm steel shoe (one additional per side)
- Additional track guides for 600 mm steel shoe (one additional per side)
- Automatic air conditioner
- Grease gun
- Tool box

Note: Standard and optional equipment may vary. Consult your KOBELCO dealer for specifics.

